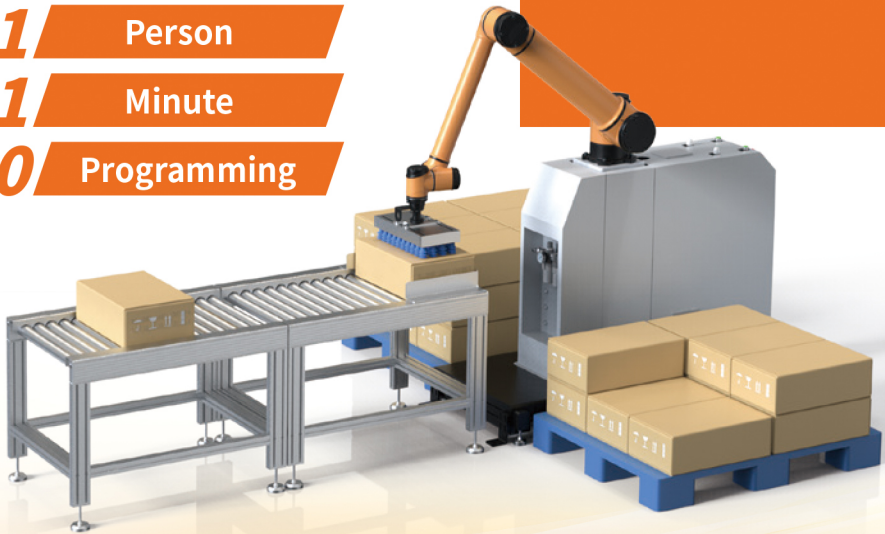




AUBO Palletizer

- 1** Person
- 1** Minute
- 0** Programming



WORKSTATION ADVANTAGES



Simple Installation

- A light-weight and small-footprint palletizer
- Forklift holes for easy maneuvering
- Preconfigured for plug-and-play



High precision

- Millisecond response speed
- ± 0.05 mm repeatability



Zero Programming

- One-click pattern generation
- Create any project in under 1 minute
- Any operator can learn to use it quickly



Versatile

- Commonly used in the food & beverage, home appliance, pharmaceutical, and household chemical industries
- Multiple EOATs to choose from for different tasks



Safe and Reliable

- 10 levels of collision detection
- 8 safety IOs for safety functions
- Robot arm locks itself during power failure



Fast ROI

- Less design and integration effort, ready to deploy out-of-box
- Investment can be recovered in 6 to 12 months
- Minimal changes to your existing plant layout or processes



Modular Design

- Robot joints can be replaced in under 30 min
- Minimal maintenance to reduce downtime
- All spare parts are stocked in the USA

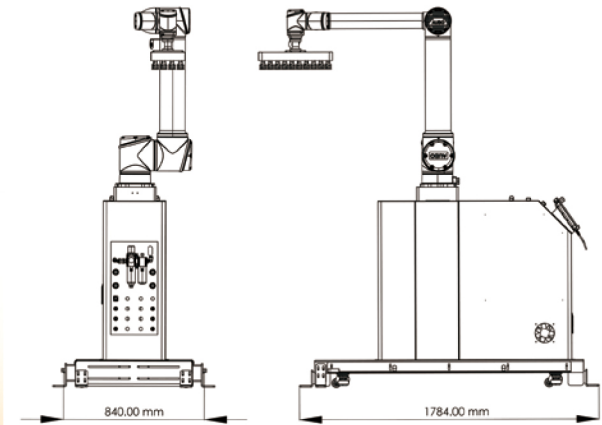


Flexible Manufacturing

- Can be easily integrated into existing processes through Modbus, TCP/IP, EIP
- Redeploy at a new location within hours
- Designed to be moved around easily and reconfigured quickly

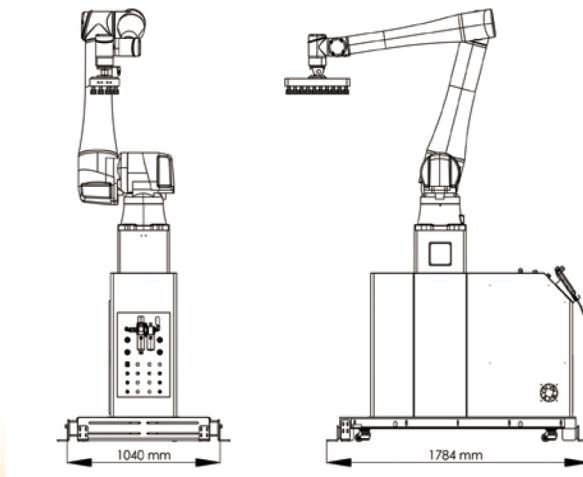
WORKSTATION PARAMETERS

Robot Model	AUBO-IS20								
Robot Payload	20kg								
Robot Reach	1647mm (64.8 in)								
Palletizing Height	2300 mm (90.5 in)								
Palletizing speed	<p>Palletizing speed changes with the load change</p> <table border="1"> <caption>Palletizing Speed vs Load</caption> <thead> <tr> <th>Load (kg/carton)</th> <th>Speed (cts/min)</th> </tr> </thead> <tbody> <tr> <td>0</td> <td>9</td> </tr> <tr> <td>10</td> <td>8.5</td> </tr> <tr> <td>15</td> <td>7</td> </tr> </tbody> </table>	Load (kg/carton)	Speed (cts/min)	0	9	10	8.5	15	7
Load (kg/carton)	Speed (cts/min)								
0	9								
10	8.5								
15	7								
Repeatability	± 0.05mm								
Working temperature	0-50°C/32-122°F								
Rated voltage	single phase 220v								
Total weight	490 kg (1080 lbs)								
Maximum pallet size	48in*48in								
External sensor type	NPN								



WORKSTATION PARAMETERS

Robot Model	AUBO-IS35										
Robot Payload	35kg										
Robot Reach	2100 mm (82.7in)										
Palletizing Height	2300 mm (90.5 in)										
Palletizing speed	<p>Palletizing speed changes with the load change</p> <table border="1"> <caption>Palletizing Speed vs Load</caption> <thead> <tr> <th>Load (kg/carton)</th> <th>Speed (cts/min)</th> </tr> </thead> <tbody> <tr> <td>0</td> <td>8</td> </tr> <tr> <td>10</td> <td>8</td> </tr> <tr> <td>20</td> <td>7.5</td> </tr> <tr> <td>30</td> <td>7</td> </tr> </tbody> </table>	Load (kg/carton)	Speed (cts/min)	0	8	10	8	20	7.5	30	7
Load (kg/carton)	Speed (cts/min)										
0	8										
10	8										
20	7.5										
30	7										
Repeatability	± 0.05mm										
Working temperature	0-50°C/32-122°F										
Rated voltage	single phase 220v										
Total weight	600 kg (1322 lbs)										
Maximum pallet size	51in*51in										
External sensor type	NPN										



AUBO Robotics USA

Headquarters Address: 11701 Metro Airport Center Dr Suite 110, Romulus, MI 48174

Tel: +1 833-282-6276

E-mail: sales@aubo-usa.com